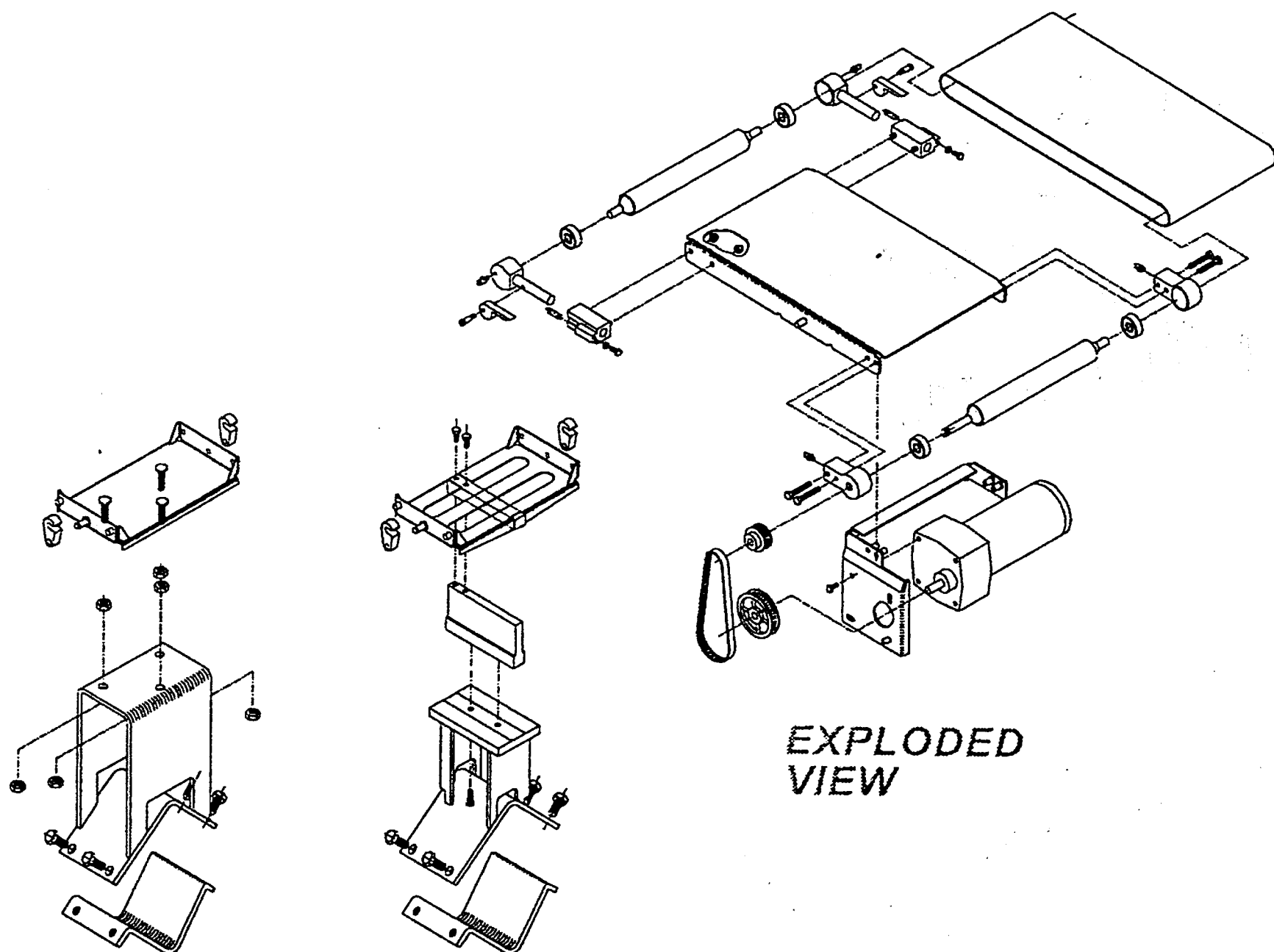


CORNERSTONE

**Building
Blocks**

Easy to Maintain



Cornerstone is designed from the ground up with serviceability in mind. It starts with the design criteria that any critical component, especially wear parts, may be replaced in 10 minutes or less.

Change any critical part in 10 Minutes or Less!

- Conveyor Belts
- Pulleys
- Bearings
- Gearmotors
- Drive Components
- Load Cells
- Photoeyes
- Chain & Runners

Open Machine Design

- Easy access to all serviceable components...
- Easy on/off side covers, no tools required
- Open machine design for serviceability

Quick Disconnect

- Patented quick removal of conveyor modules
- Power distribution via quick connectors

Hi-Speed Checkweigher Systems

A Mettler Toledo Company
5 Barr Rd. Ithaca, NY 14850
800-836-0836 Fax 607-257-6396

BB-CF-1297